

m o o o i[®]



Double shade

A classic iconic item from the Mooi lighting collection both versatile and charismatic in form and function.

<i>Designer</i>	Marcel Wanders
<i>Year of design</i>	1998
<i>Material</i>	PVC cotton laminate shade and a metal frame structure
<i>Additional</i>	Indoor use only
<i>Product Codes</i>	Mooui, lighting, double shade. MOLDS-----*

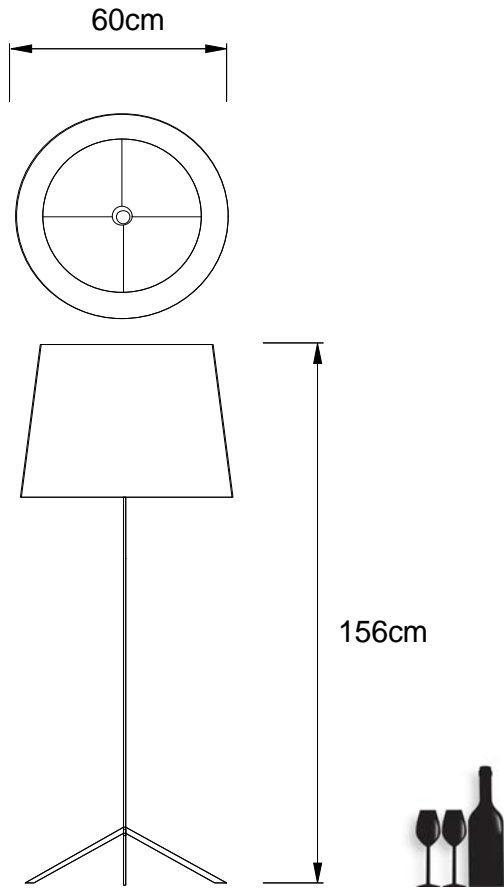
Detailing

Colour



m o o o i[®]

Main dimensions



Technical



E27x1
MAX 100w



Packaging



H-160cm
W-62cm
D-63cm



1-Colli
3.7-Net
5-Gross

Photography



Photography by Maarten van Houten

Cleaning Instructions

The Double shade should be cleaned regularly with a dry cloth or feather duster to prevent a build up of dust. For more stubborn stains use a familiar stain remover that does not contain bleach. The metal frame structure can be cleaned with most trusted multi-surface cleaner and a non-abrasive sponge or cloth. Please ensure the light is not connected to the mains whilst cleaning in progress.
