

m o o o i[®]



Double round light

A classic item from the Moooi lighting collection both versatile and charismatic in form and function.

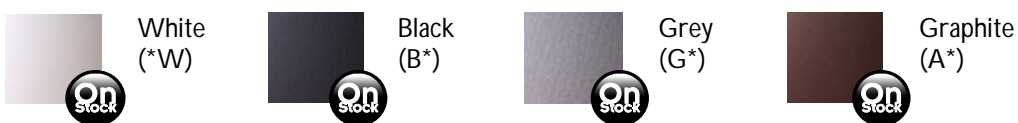
<i>Designer</i>	Marcel Wanders
<i>Year of design</i>	1999
<i>Material</i>	PVC/cotton laminate on a metal structure
<i>Additional</i>	(*Please insert the appropriate colour initial in the product code)
<i>Product Codes</i>	Moooi, lighting, double round light. MOLDR-----*

Detailing



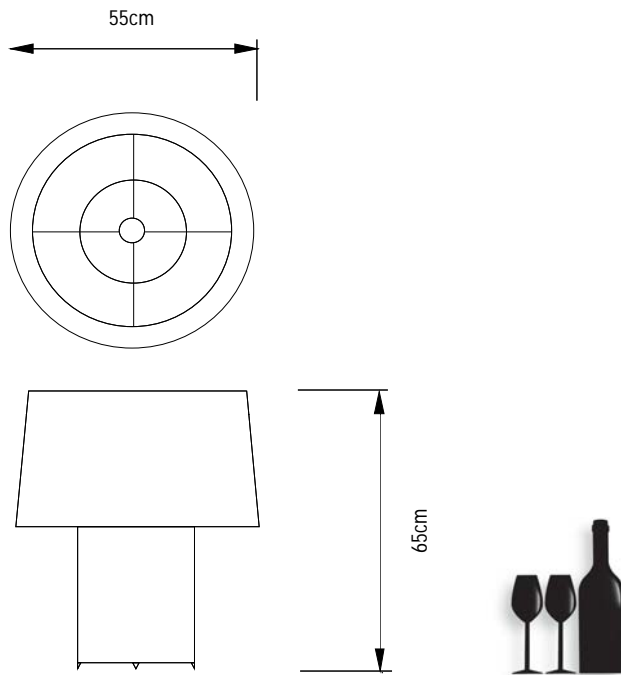
Both the shade and the base diffuse an ambient light.

Colour



m o o i[®]

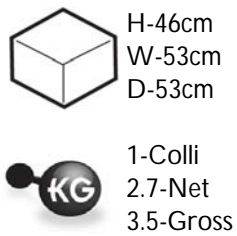
Main dimensions



Technical



Packaging



Photography



Moooi Miami, USA

Cleaning Instructions

The Double round light should be cleaned regularly with a dry cloth or feather duster to prevent a build-up of dust. For more stubborn stains use a trusted stain remover that does not contain bleach or bleaching agents. Always read the label of any cleaning product you wish to use on or near any item from the Moooi collection.
