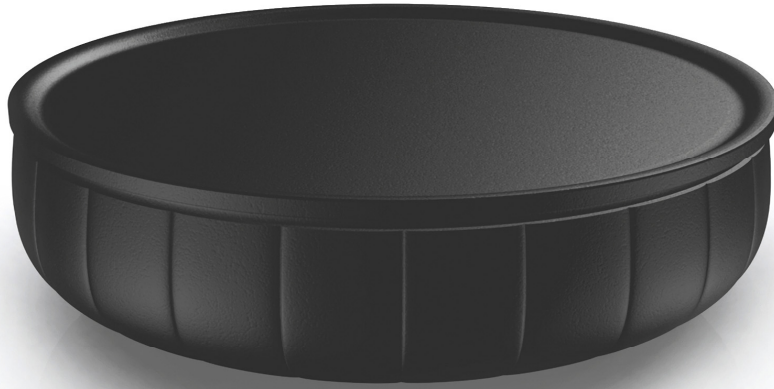


m o o o i

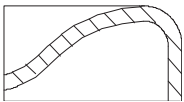


Container Bowl Top

An superb addition for the Container Bowl. The Container bowl top provides a good sized surface and generous storage inside the bowl.

<i>Designer</i>	Marcel Wanders	
<i>Year of design</i>	2007	
<i>Material</i>	ABS	
<i>Additional</i>	Container Bowl and Foot sold separately	
	Indoor and outdoor use	
<i>Product Code</i>	Container bowl top Black	MOACBT----B
	Container bowl top White	MOACBT----W

Detailing



The Lip around the outer edge of the Container bowl top ensures any spillage remains on the table and not on your trousers, skirt or floor.

Finish



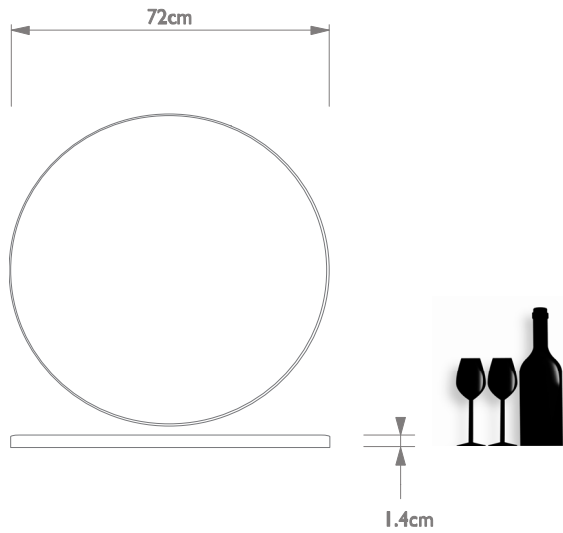
White



black

m o o o i

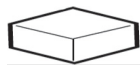
Main dimensions



Technical

The Container bowl top addition sits comfortably on top of the Container Bowl and locates into place with a subtle lipped circumference.

Packaging



H77cm
W77cm
D2.5cm



3.7 Net
5.2 Gross

m o o o i

Photography



Milan 2007

Cleaning Instructions

Cleaning PE: any household cleaning liquid can be used in combination with a soft cloth, but avoid abrasive cleaner. For tough stains PVC cleaner is advised. PE is resistant to a wide variety of chemicals.
