



Barbarella

When journalists ask me what is the most important feature of sheep I tell them ...imagine being naked on it, making love with a beautiful blond like Barbarella... feel the tingle and arousal of being connected to nature... the naughtiness and the raw freedom of rolling around all over it., ...then after climax, a cigar, a brandy and just curling up in front of the fire in a log cabin somewhere in the middle of nowhere.

<i>Designer</i>	Ross Lovegrove	
<i>Year of design</i>	2005	
<i>Material</i>	Natural long-haired sheepskin, Plywood construction, HR foam upholstered.	
<i>Additional</i>	Barbarella is also available on request in CMHR foam.	
<i>Product Codes</i>	Moooi, seaters, Barbarella long hair, single,	MOSBAL1----
	Moooi, seaters, Barbarella long hair, loveseater,	MOSBALL----
	Moooi, seaters, Barbarella long hair, double,	MOSBAL2----
	Moooi, seaters, Barbarella long hair, triple,	MOSBAL3----
	Moooi, seaters, Barbarella long hair, footstool,	MOSBALF----
	Moooi, seaters, Barbarella long hair, corner sofa,	MOSBALCL---
	Moooi, seaters, Barbarella long hair, corner sofa,	MOSBALCR---

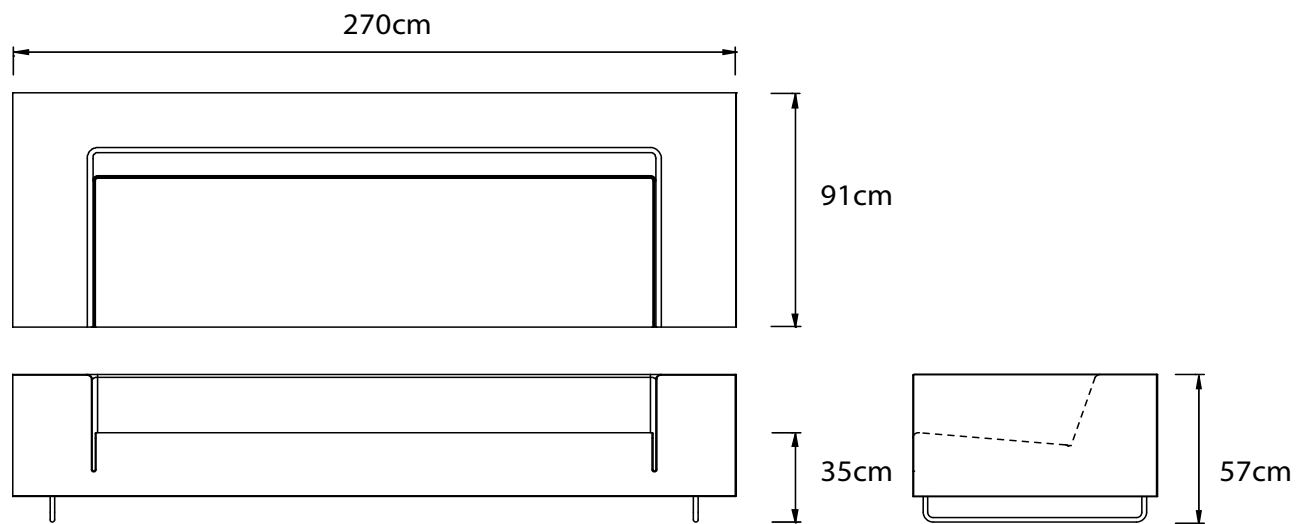
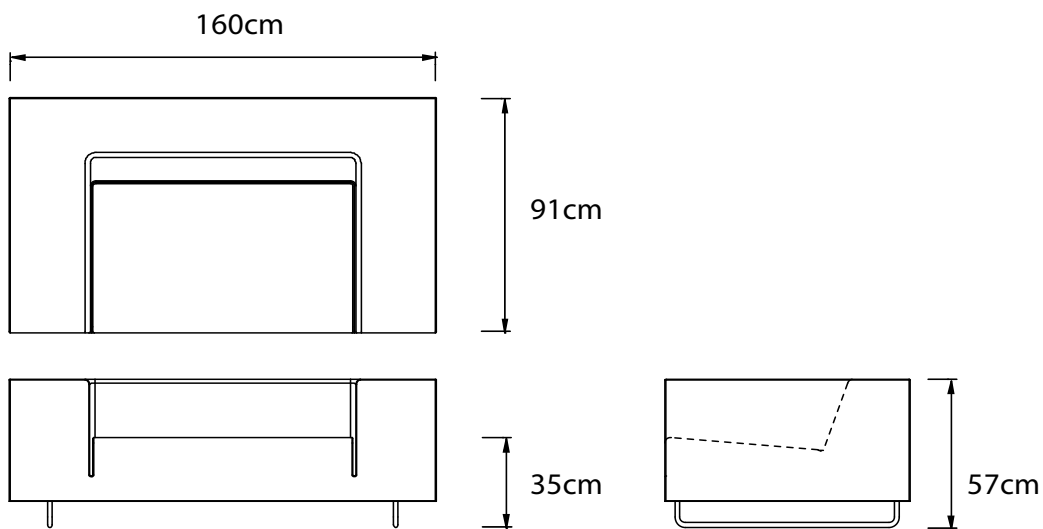
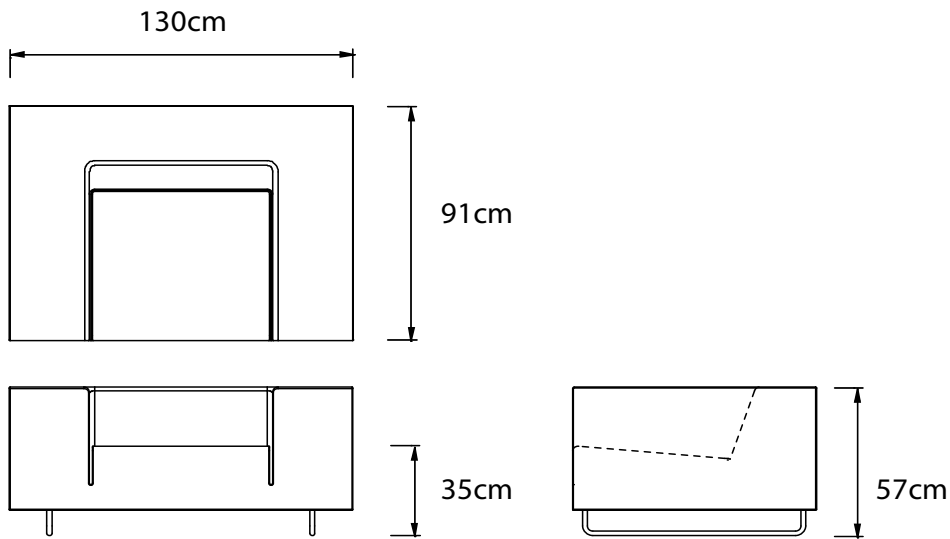
Detailing

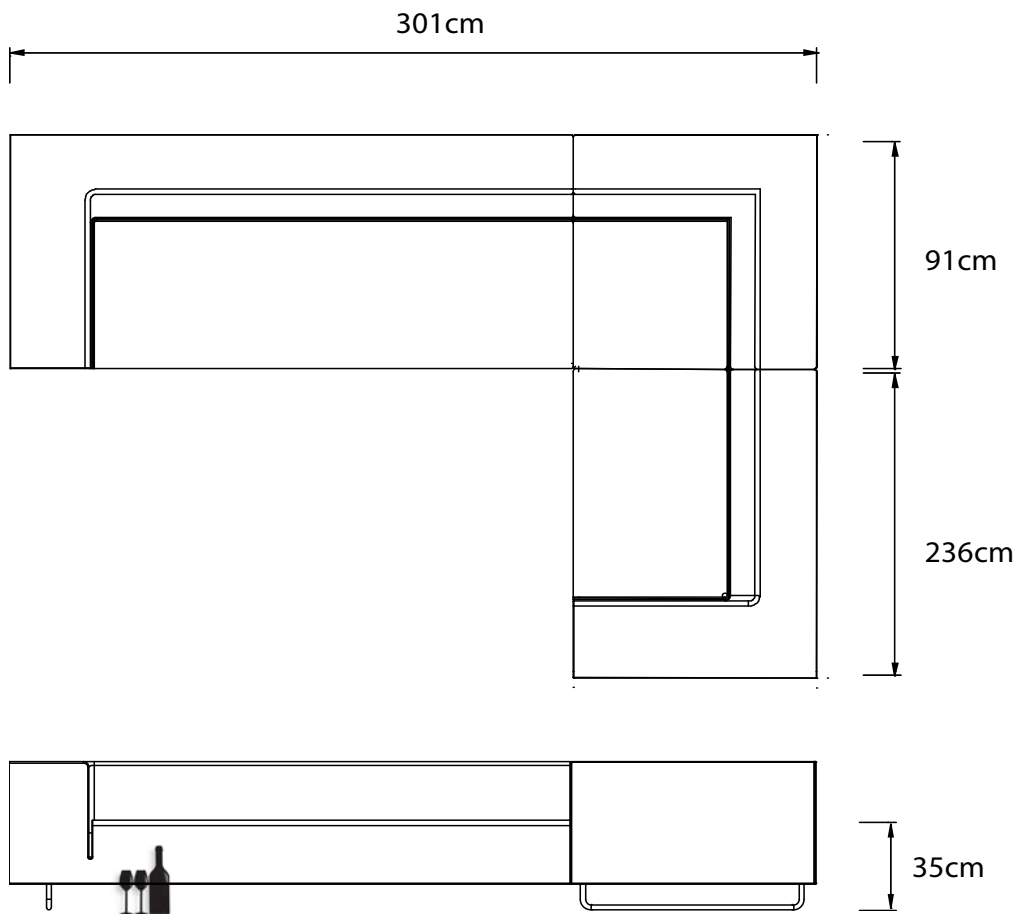
Colour



Natural sheepskin

Main dimensions

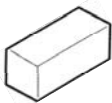
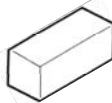
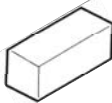
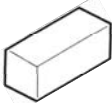
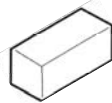









Technical

Due to the nature of sheepskin wool, the hair of this sofa may appear to be flat once unpacked. This is quickly rectified with a wire sheepskin care brush. The hair is quite robust and will return to its original fluffy texture.

Packaging

 <p>Single H-62cm W-106cm D-135cm</p>	 <p>Love H-62cm W-106cm D-165cm</p>	 <p>Double H-62cm W-106cm D-205cm</p>	 <p>Triple H-62cm W-106cm D-275cm</p>	 <p>Footstool H-45cm W-106cm D-120cm</p>
 <p>1-Colli **-Net **-Gross</p>	 <p>1-Colli **-Net **-Gross</p>	 <p>1-Colli **-Net **-Gross</p>	 <p>1-Colli **-Net **-Gross</p>	 <p>1-Colli **-Net **-Gross</p>

Photography



Koln

Cleaning Instructions

Moooi recommends using a recognised non-ionic Woolskin-sheepskin wash-shampoo and a wire sheepskin care-brush. Use the cleaner with warm water to remove oil-based stains. This can be done by hand with a soft sponge. A vacuum cleaner with a nozzle attachment may also be used to remove dust. Use the brush once whilst the fabric is drying and again once the fabric is dry to return the hair to its original fluffy state. Always read the labels of any cleaning product used on Moooi products. If you are unsure of any part of the cleaning process please contact our product development team for assistance. We will always welcome your call.
