



AVL Seaterbench

Celebrating the innovations derived directly from the Shaker communities, 'Atelier Van Lieshout' have created the perfect partner for the cheeks. Encompassing all the qualities of the traditional craftsmanship yet captivating a totally contemporary aesthetic.

Designer	Joep van Lieshout	
Year of design	2006	
Material	Solid Oak stained and/or solid Beach coloured lacquer	
Additional	Oil is not recommended for the seaters	
Product Codes	Moooi, seaters, AVL seaterbench beech,160, colour,	MOSALBW016*
	Moooi, seaters, AVL seaterbench beech,240, colour,	MOSALBW024*
	Moooi, seaters, AVL seaterbench oak, 160, stained,	MOSALOW016*
	Moooi, seaters, AVL seaterbench oak, 240, stained,	MOSALOW024*

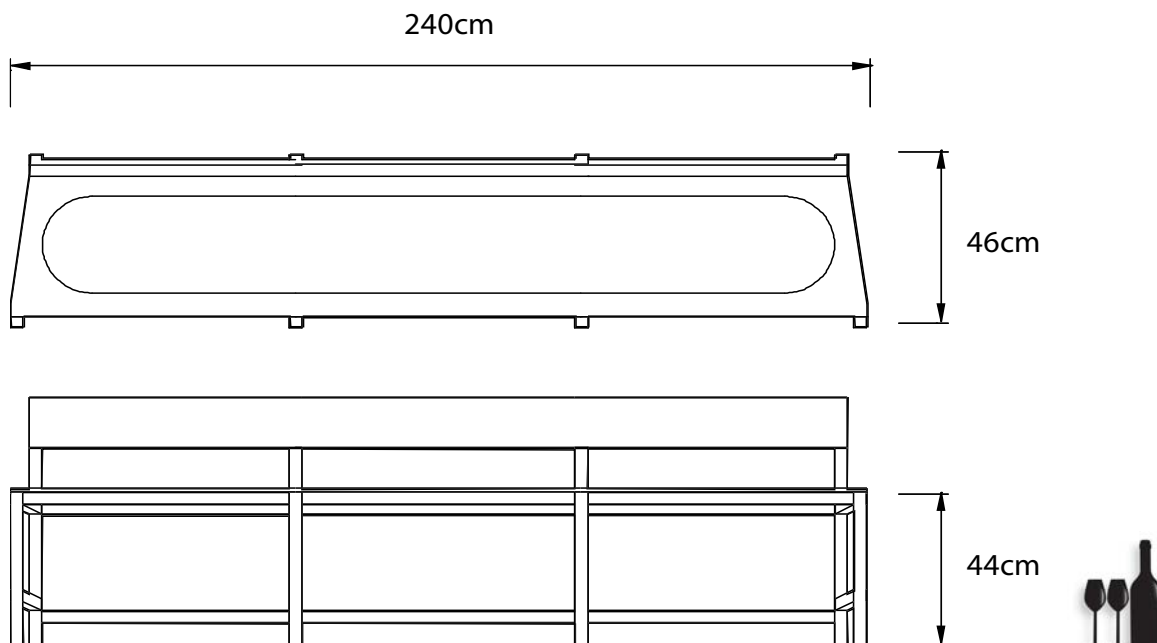
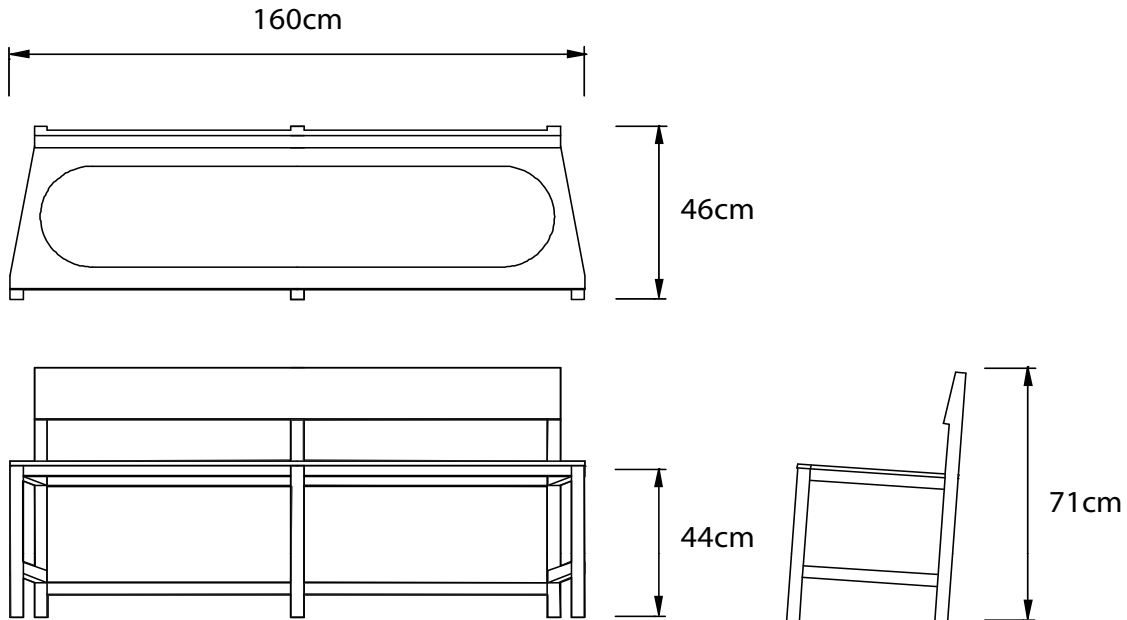
Detailing

The Seaterbench is designed to fit neatly underneath the AVL table and offers a more intimate alternative to individual placings.

Colour

	White RAL9016 (*I)		Black RAL9005 (*K)		Red RAL3020 (*R)		Orange RAL2004 (*C)		Natural Lacquer (*N)
	Wenge (*E)		Black Stained (*B)		Bloody Brown (*O)		Grey Brown (*G)		White Wash (*W)

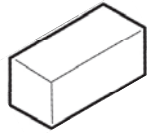
Main dimensions



Technical

There is very little technical information specific to this product. The Seaterbench comes fully assembled.

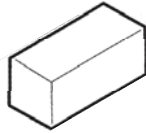
Packaging



SB-180
H-75cm
W-47cm
D-162cm



1-Colli
19-Net
22-Gross



SB-240
H-75cm
W-47cm
D-242cm



1-Colli
25.5-Net
30-Gross

Photography

Photography pending

Cleaning Instructions

Mooodi recommends using a good furniture polish and a soft cloth. Apply generously in layers to surface and use the cloth to shine. Do not use abrasive fabrics, gently remove tough stains with warm water and a trusted multi-surface cleaner.
