



AVL Bench




Celebrating the innovations derived directly from the Shaker communities, 'Atelier Van Lieshout' have created the perfect partner for the cheeks. Encompassing all the qualities of the traditional craftsmanship yet captivating a totally contemporary aesthetic.

Designer	Joep van Lieshout	
Year of design	2006	
Material	Solid Oak stained and/or solid Beach coloured lacquer	
Additional	Oil is not recommended for the seaters	
Product Codes	Moooi, seaters, AVL bench beech, 120, colour, Moooi, seaters, AVL bench beech, 180, colour, Moooi, seaters, AVL bench oak, 120, stained, Moooi, seaters, AVL bench oak, 180, stained,	MOSABBW012- MOSABBW018- MOSABOW012* MOSABOW018*

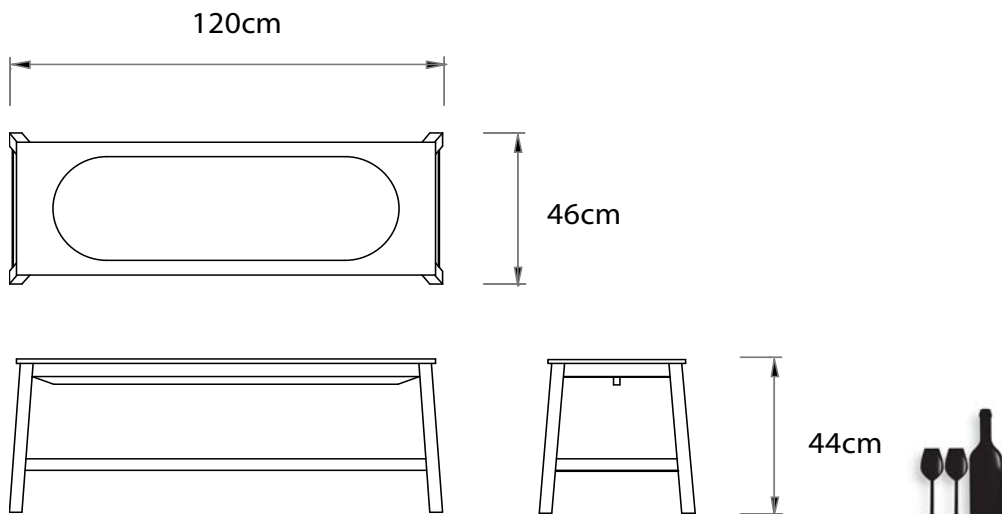
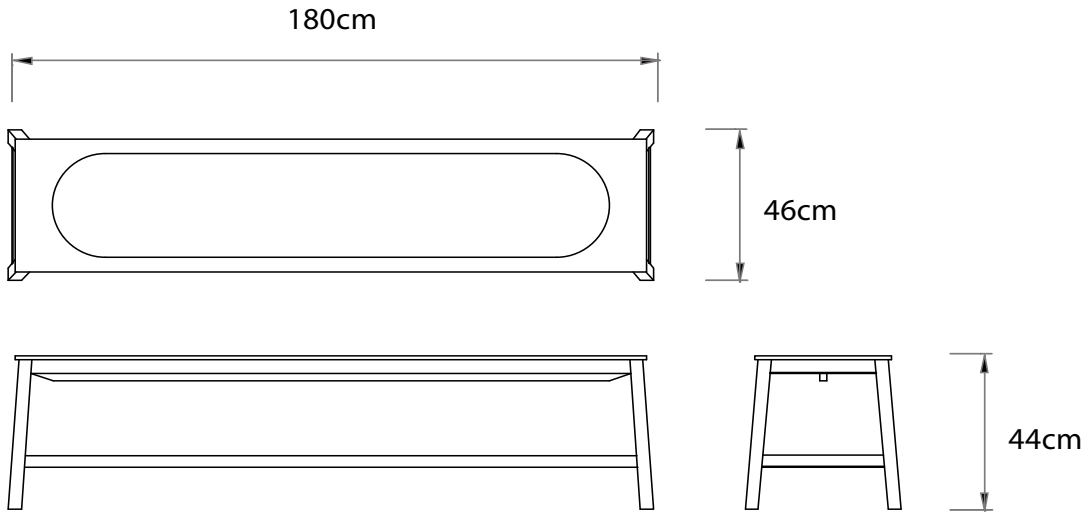
Detailing

The Bench is designed to fit neatly underneath the AVL table and brings a more exciting experience to meal-times

Colour

	White RAL9016 (*I)		Black RAL9005 (*K)		Red RAL3020 (*R)		Orange RAL2004 (*C)		Natural Lacquer (*N)
	Wenge (*E)		Black Stained (*B)		Bloody Brown (*O)		Grey Brown (*G)		White Wash (*W)

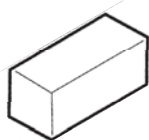
Main dimensions



Technical

There is very little technical information specific this product. The Bench arrives fully assembled.

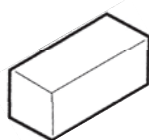
Packaging



Bench 120
H-47cm
W-45cm
D-123cm



1-Colli
14-Net
16-Gross



Bench 180
H-47cm
W-45cm
D-183cm



1-Colli
19.5-Net
22-Gross



Photography

Photography pending

Cleaning Instructions

Moooi recommends using a good furniture polish and a soft cloth. Apply generously in layers to surface and use the cloth to shine. Do not use abraasive fabrics, gently remove tough stains with warm water and a trusted multi-surface cleaner.
