



AVL Barstool

Celebrating the innovations derived directly from the Shaker communities, 'Atelier Van Lieshout' have created the perfect partner for the cheeks. Encompassing all the qualities of the traditional craftsmanship yet captivating a totally contemporary aesthetic.

Designer	Joep van Lieshout	
Year of design	2003	
Material	Solid Oak stained and/or solid Beach coloured lacquered	
Additional	Oil is not recommended for the seaters	
Product Codes	Moooi, seaters, AVL bar stool beech, colour.	MOSASBW----
	Moooi, seaters, AVL bar stool, oak.	MOSASOW----

Detailing

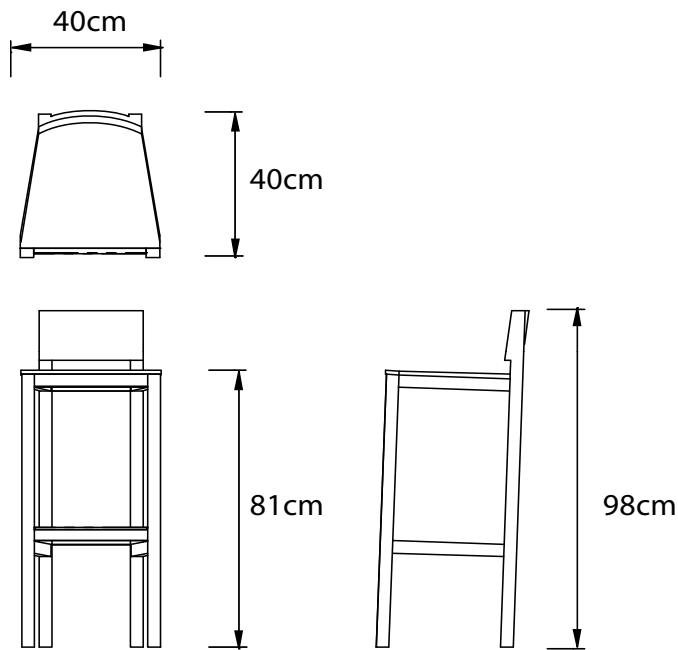


The Barstool is the only way to dress up your commercial and residential bar. The kick-bar wears a metal cover to prevent scuffs and scratches.

Colour

	White RAL9016 (*i)		Black RAL9005 (*K)		Red RAL3020 (*R)		Orange RAL2004 (*C)		Natural Lacquer (*N)
	Wenge (*E)		Black Stained (*B)		Bloody Brown (*O)		Grey Brown (*G)		White Wash (*W)

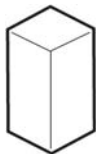
Main dimensions



Technical

There is very little technical information require for this product. The Barstool comes fully assembled.

Packaging



H-103cm
W-41cm
D-41cm



1-Colli
11,5-Net
13,5-Gross

m o o o i[®]

Photography



Photography by Jose Martens

Cleaning Instructions

Moooi recommends using a good furniture polish and a soft cloth. Apply generously in layers to surface and use the cloth to shine. Do not use abrasive fabrics, gently remove tough stains with warm water and a trusted multi-surface cleaner. And a little elbow grease if required!
