

m o o o i



Bamboo Lamp

The Bamboo Lamp is a subtle hybrid of organic, shapely bamboo with a sharp, minimal silhouette and a high gloss finish. Its natural curves blend with stylized curves to make a simple standard lamp which surprises with its quietly contradictory materials. A unique pull switch handle, plucked from somewhere in the world, now dangles like an earring beneath the bold, gathered shade, gently reminding us of the absurd and providing us with an invitation to perhaps untie the knot and replace it with an object of our own choice.

Designer	Committee	
Year of design	2007	
Material	Bamboo stand, metal base and cotton stretched around metal frame.	
Additional	Please add the appropriate initial at the end of the product code	
Product Codes	Bamboo lamp, base	MOLBAB----*
	Bamboo lamp shade	MOLBAS----*

Detailing

Every pull-cord from the Bamboo lamp is totally unique!



Colour of the lampshade

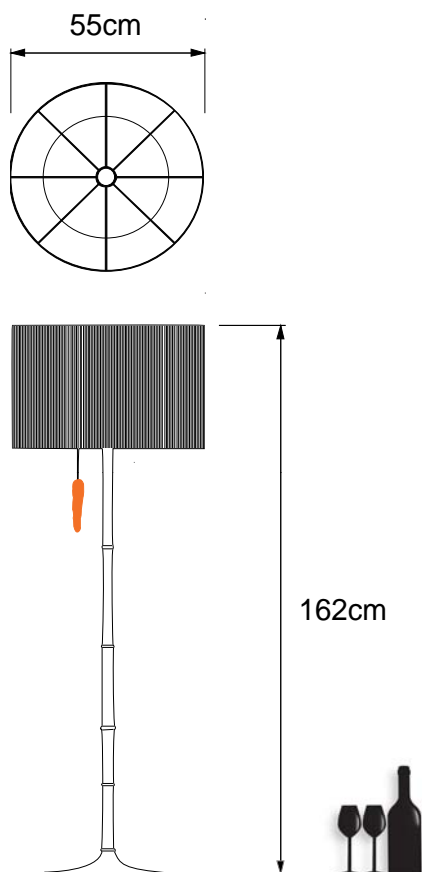


Colour of the lampstand



m o o o i[®]

Main dimensions



Technical

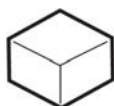


E27x1
MAX 100 Watt



Europlug

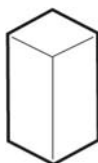
Packaging



Shade
H-36cm
W-55cm
D-55cm



1-Colli
1.2-Net
2-Gross



Stand
H-168 cm
W-37cm
D-37cm



1-Colli
2.2-Net
3.5-Gross



Moool presentation, Salone del Mobile. 2007

Cleaning Instructions

Moool recommends cleaning the Bamboo lamp shade with a micro-fibre duster to remove everyday dust particles. The lamp stand should first be cleaned in the same way and then by using a trusted multi-surface cleaning spray to remove tough grease stains and dirt. If required you can use a furniture polish and a very soft cloth to create a sheen. Moool recommends reading the label of any substance you wish to use on or near any item from the Moool collection. Always ensure the lamp is not connected to the mains electricity supply whilst cleaning is in progress. For further information on this product or cleaning instructions please contact you nearest Moool agent or dealer located via our website.
