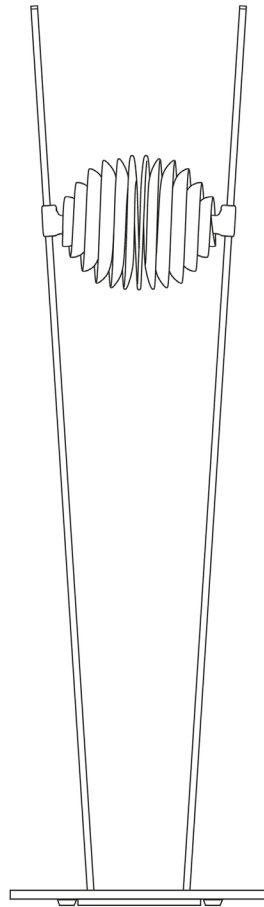


Filament light is a tribute to the explorers of the 19th century: creators of the first electrical light bulb made with carbon and tungsten filaments, and whose discoveries have inevitably led to new technologies that might one day make their original designs obsolete.

Designed by

Fanne

Filament series



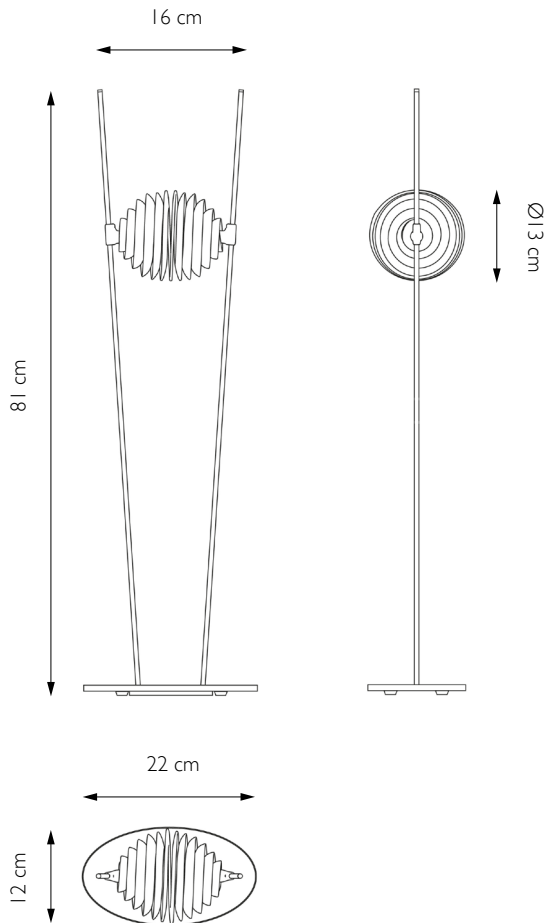
Filament Table light (Pink, Green and Orange) in 'Edha' interior shop, Amsterdam (The Netherlands)



Filament Table light in Stockholm office (Sweden)

Filament Classic/ Green/Pink/Orange

FILAMENT



COLOR CHANGE

Just as people the shade color ages. It comes white out of the 3D-Printer and will become a stable off-white color after a year.

COLOR CHANGE *(Only Filament Classic)*

Just like people the color of the 3D-Printed shade ages. It comes out white and will become a stable off-white color after a year

ELECTRICITY MARKINGS



PRODUCT INFORMATION

Product Filament Classic
 Filament Green
 Filament Pink
 Filament Orange

Bulb 240V
 120V

2 x G4 halogen 12V (Max 20W) supplied

Type Table light
Designer Janne Kyttänen 2008–2009
Color Filament Classic: White & matte black
Filament Green: Green & white
Filament Pink: Pink & white
Filament Orange: Orange & white
Material 3D printed Nylon & powder coated steel

HOW IT'S MADE

This product is the outcome of Freedom Of Creation's ten years of pioneering research exploring 3D printing technologies; a process that transforms a CAD file into a real object by a printing process, adding one layer of matter onto the other until the entire object is generated. The unlimited expressive possibilities that these technologies provide have characterized FOC as a trendsetting brand.

INSTALLATION INSTRUCTION

- Step 1** – Insert the bulbs by flexing the shade open, so that you can access the fitting with your hands
Step 2 – Plug the cable into your power socket

DAILY USE INSTRUCTION

Light placement

- Only indoors
- Spin the dimmer knob to turn on the light and to adjust the light intensity

Bulb (re)placement

- Follow step 1 of the installation instruction
- Do not (re)place when the cable is plugged into the socket
- Do not touch halogen bulbs with your bare hands
- Do not use bulbs that exceed the maximum wattage specified in the right top of the sheet

Precautions

- Do not cover the lamp
- Do not leave the product unattended with children
- The product is not a heavy duty item but a work of art, so treat it carefully

Cleaning

The shade can be cleaned with standard soap and a dishwashing brush or it can be placed in the dishwasher

DIMENSIONS

	Package dimensions	Net/gross weight
Filament	91 x 29 x 18 cm	1,9 / 4 kg