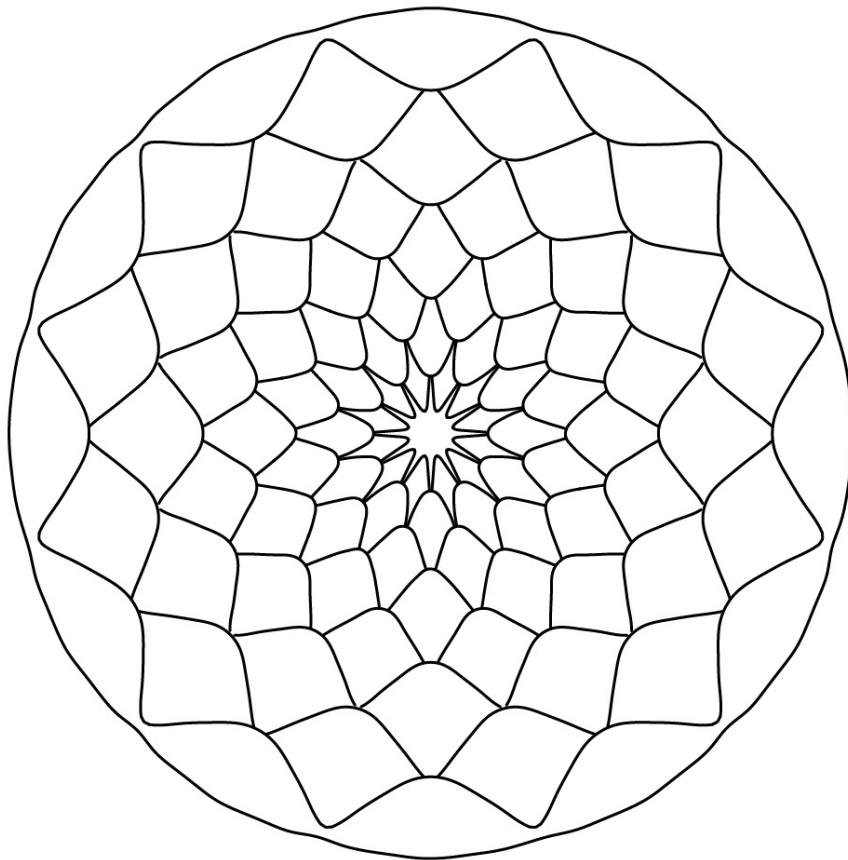


Part of the Vitra Design Museum collection

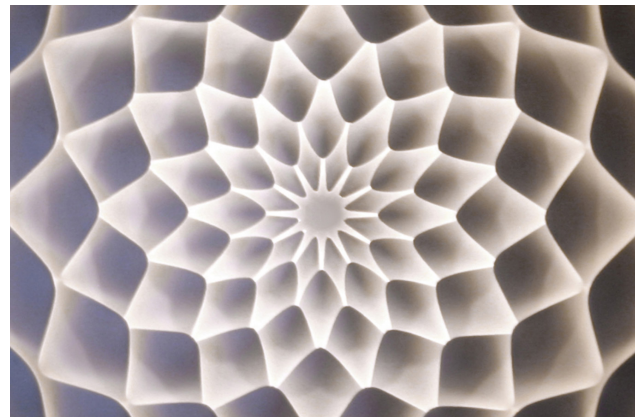
Like the homonymous flower, Dahlia is a fascinating arrangement of petals, cohering to a compact and gentle semi-sphere. Light penetrates the narrow gaps between the Dahlia petals, creating surprising effects on walls and ceilings, especially when mounting several Dahlia lamps in a sequence.

Designed by *Fanne*

Dahlia series



Dahlia (D50) Wall light at the Light & Building show in Frankfurt

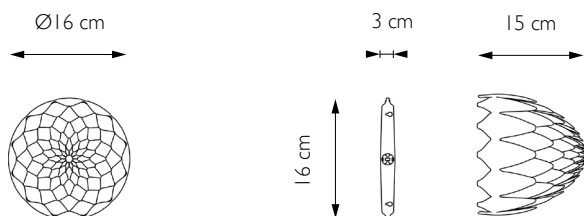


Dahlia (D32) Wall light - front detail

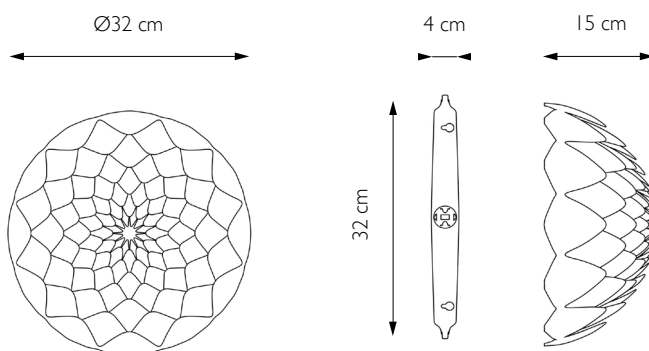
Dahlia

D16/D32/D50

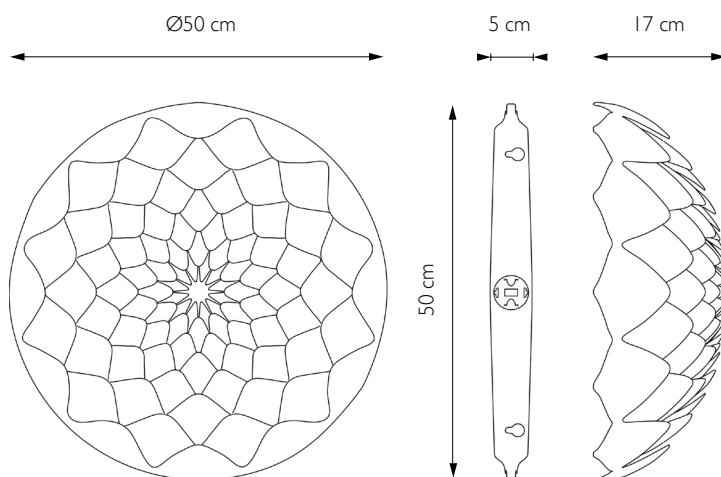
DAHLIA D16



DAHLIA D32



DAHLIA D50



COLOR CHANGE

Just like people the color of the 3D-Printed shade ages. It comes out white and will become a stable off-white color after a year

ELECTRICITY MARKINGS



PRODUCT INFORMATION

Product	<input type="radio"/> Dahlia D16 <input type="radio"/> Dahlia D32 <input type="radio"/> Dahlia D50
Bulb	<input type="radio"/> 240V <input type="radio"/> 120V

Dahlia D16: G9 halogen (Max 33W) supplied
 Dahlia D32 & D50: G9 halogen (Max 48W) supplied

Type	Sconce; wall or ceiling light
Designer	Janne Kyttänen 2005–2007
Color	White
Material	3D printed Nylon

HOW IT'S MADE

This product is the outcome of Freedom Of Creation's ten years of pioneering research exploring 3D printing technologies; a process that transforms a CAD file into a real object by a printing process, adding one layer of matter onto the other until the entire object is generated. The unlimited expressive possibilities that these technologies provide have characterized FOC as a trendsetting brand.

INSTALLATION INSTRUCTION

- Step 1** – You can either leave the cable hanging against the wall and use the dimmer/switch or cut the cable and connect it directly to your power source (make sure that the electricity is switched off)
Step 2 – Connect the mounting unit to the wall or ceiling with the screws & plugs (use M6 drill) that are included
Step 3 – Insert the bulb in the ceramic fitting
Step 4 – Snap the shade onto the mounting unit connectors

DAILY USE INSTRUCTION

Light placement
 – Only indoors
 – Do not use as a table light
 – Press the dimmer button once to turn the light on/off. Hold the button to dim/brighten the light

Bulb (re)placement
 – Do not (re)place when the cable is plugged into the socket
 – Do not touch halogen bulbs with your bare hands
 – Do not use bulbs that exceed the maximum wattage specified in the right top of the sheet

Precautions
 – Do not cover the lamp
 – Do not leave the product unattended with children
 – The product is not a heavy duty item but a work of art, so treat it carefully

Cleaning
 The shade can be cleaned with standard soap and a dishwashing brush or it can be placed in the dishwasher

DIMENSIONS

	Package dimensions	Net/gross weight
Dahlia D16	43 x 43 x 27 cm	0,3 / 2 kg
Dahlia D32	43 x 43 x 27 cm	0,6 / 3 kg
Dahlia D50	57 x 57 x 25 cm	1,4 / 4 kg